

F	Wheelbase	3360
---	-----------	------

Chassis-cab dimensions

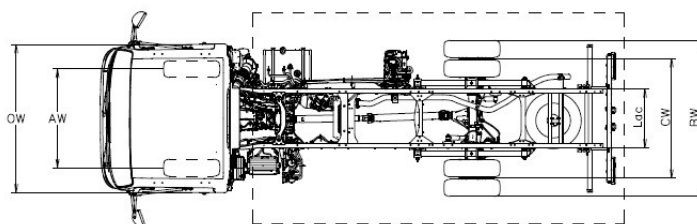
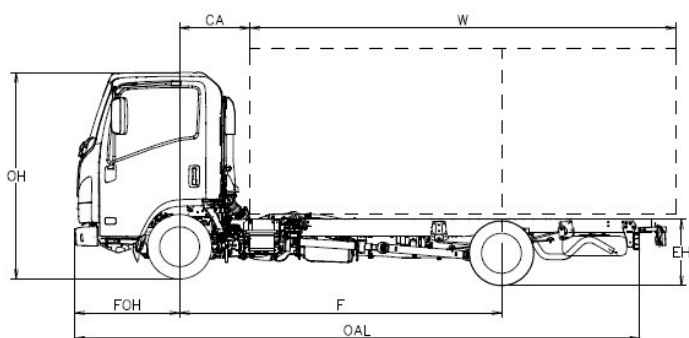
OAL	Overall length	6015
W	Body length min./max. ⁽⁵⁾	4265 / 4530
FOH	Front overhang	1100
ROH	Rear overhang	1555
Lac	Frame width	700
EH	Chassis height unladen (nearby rear axle)	715
HH	Minimum road clearance	190
OW	Cab width ⁽¹⁾	1815
OH	Overall height unladen	2160
BW	Rear axle width	1860
AW	Front track	1400
CW	Rear track	1425
Dia	Turning diameter (m) ⁽²⁾	11,9
CA	C/L Front axle to Rear of cab ⁽³⁾	650
6,1	Max. Width with Body ⁽⁴⁾	2120

Chassis-cab weights

16,1	Gross Vehicle Weight (GVW)	3500
16,4	Gross Combined Weight (GCW)	7000
15	Minimum weight vehicle equipped	2290
15,1	Minimum weight vehicle equipped (front/rear)	1400/890
14	Kerb weight in running order ⁽⁶⁾	2055
CT	Chassis-cab Payload	1445
14,1	Kerb weight on axles (front/rear)	1410/645
16,2	Max. permissible weight on axles (front/rear)	2100 / 2435
18,3	Max. Trailer weight unbraked/braked	3500 / 750

1. Turning lights and rearview mirrors excluded
2. Curb to curb turning diameter
3. With minimum counterframe height = 150 mm
4. Available also short or long rearview mirror arm.
5. The length of the body refers to an uniformly loaded vehicle, up to the maximum capacity on each axle (dimensions declared in C.O.C. with no chassis modifications)
6. Kerb weight includes spare wheel (where present), full fuel tank and 75kg for the driver. Weights are for reference and informational use only. The bodybuilder has the responsibility to verify its compliance with real vehicle weights during the body installation.

PROVISIONAL VERSION: All data must be confirmed by the type approval certificate.



The information in this catalogue is intended to be of a general nature only. MIDI Europe reserves the right to modify or change specification at any time. For further information, consult our technical department.

Color of the vehicle shown in this catalogue could differ from the real color of the vehicle.

m21TTh - 3,5 TON

€ 32.960 VAT excluded

Cabin		
Number of seats: 3	Radio DAB+ with USB	Fog lamps Fr and Rr
MID display	Central locking with remote control	Day-time running lights
Power operated windows	Steering adjustable (tilting and height)	Led lights
Reverse warning buzzer	Head lamps control levelling	Automatic headlight lighting
Cab overturning safety	Driver suspended seat	Sunvisor (Driver/Pass.)
Bi-color cabin interior	Seat belt buzzer	Header tray (Driver/Pass.)

Optional	
Air conditioning	€ 1.200 VAT excluded
Radio with GPS	€ 732 VAT excluded

Brakes	Safety systems	
Hydraulic system, with vacuum brake booster EEC standards with ABS, independent circuits on both axles . Drum parking brake on the transmission shaft.	ABS with BAS (Brake Assist System) ESC (Electronic Stability Control) with ASR SRS 2 Airbag (Driver/Pass.)	
Front		Rear
Disc \varnothing 293 x 40 mm		Disc \varnothing 275 x 30 mm

Diesel Engine		Gearbox and Final drive ratio		
4 cylinders 16 valves, common-rail with direct injection, intercooler and Variable nozzle Turbocharger and EGR. CO2 emission Combined Cycle g/km 297.32, Fuel consumption Combined Cycle ℓ /100 km 11.3		Gear Ratio	Manual MVC6W	km/h 1000 rpm
EMISSIONS REGULATIONS Euro 6d		1	4.942	5.5
DISPLACEMENT 1898 cm ³		2	2.686	10.1
POWER 88 kW (120 hp) @ 3.000 - 3.200 rpm		3	1.527	17.7
TORQUE 320 Nm@ 1.600 – 2.000 rpm		4	1.000	27.0
AFTER-TREATMENT LNT / DPD / SCR		5	0.796	34.0
		6	0.634	42.7
		R	4.597	
		Final drive	4.777 (43/9)	

FUEL TANK		ADBLUE TANK	
83 L	(nominal value)	10 L	(nominal value)

Dimensions of the chassis	H = 180 mm; L = 50 mm; Thickness = 4 mm
---------------------------	---

Suspensions	Front	Independent with transverse leaf spring
	Rear	Semi-elliptical steel leaf springs
	Rear differential	\varnothing 292 mm HEAVY DUTY

Tires	205/75 R16C rear twin wheels
	Spare wheel

Electric system	Nominal voltage 12V - Generator 90A - Battery 70Ah
-----------------	--

The information in this catalogue is intended to be of a general nature only. MIDI Europe reserves the right to modify or change specification at any time. For further information, consult our technical department.

Color of the vehicle shown in this catalogue could differ from the real color of the vehicle.