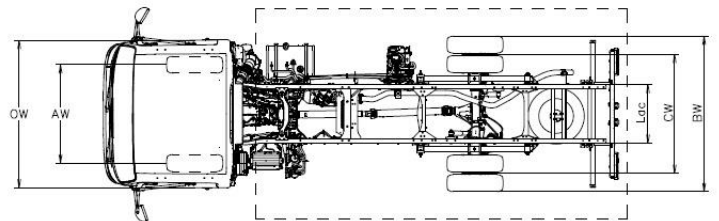
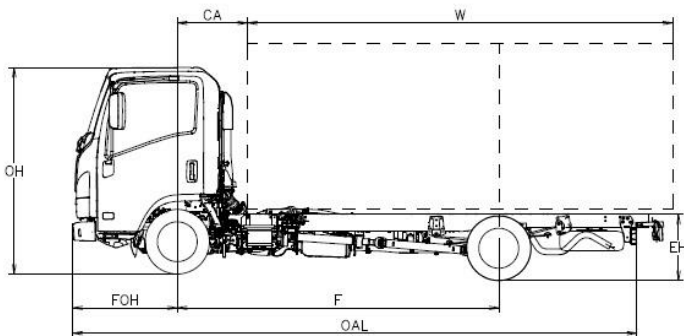


<b>M21 TT</b>		<b>E</b>	<b>F</b>	<b>H</b>
<i>F</i>	Wheelbase	2500	2760	3360
<b>Chassis-cab dimensions</b>				
<i>OAL</i>	Overall length	4780	5295	6015
<i>W</i>	Body length min./max. <sup>(5)</sup>	3030 / 3415	3545 / 3930	4265 / 4530
<i>FOH</i>	Front overhang	1100		
<i>ROH</i>	Rear overhang	1180	1435	1555
<i>Lac</i>	Frame width	700		
<i>EH</i>	Chassis height unladen (nearby rear axle)	715		
<i>HH</i>	Minimum road clearance <sup>(7)</sup>	215		
<i>OW</i>	Cab width <sup>(1)</sup>	1815		
<i>OH</i>	Overall height unladen	2155	2160	
<i>BW</i>	Rear axle width	1860		
<i>AW</i>	Front track	1400		
<i>CW</i>	Rear track	1425		
<i>Dia</i>	Turning diameter (m) <sup>(2)</sup>	9,2	10	11,9
<i>CA</i>	C/L Front axle to Rear of cab <sup>(3)</sup>	650		
<i>6,1</i>	Max. Width with Body <sup>(4)</sup>	2120		

### Chassis-cab weights

<i>16,1</i>	Gross Vehicle Weight (GVW)	3500		
<i>16,4</i>	Gross Combined Weight (GCW)	7000		
<i>15</i>	Minimum weight vehicle equipped	2160	2215	2290
<i>15,1</i>	Minimum weight vehicle equipped (front/rear)	1330/830	1365/850	1400/890
<i>14</i>	Kerb weight in running order <sup>(6)</sup>	1955	1975	2025
<i>CT</i>	Chassis-cab Payload	1545	1525	1475
<i>14,1</i>	Kerb weight on axles (front/rear)	1425 / 530	1395 / 580	1410 / 615
<i>16,2</i>	Max. permissible weight on axles (front/rear)	2100 / 2435		
<i>18,3</i>	Max. Trailer weight unbraked/braked	750 / 3500		

1. Turning lights and rearview mirrors excluded
2. Curb to curb turning diameter
3. With minimum counterframe height = 150 mm
4. Available also short or long rearview mirror arm.
5. The length of the body refers to a uniformly loaded vehicle, up to the maximum capacity on each axle (dimensions declared in C.O.C. with no chassis modifications)
6. Kerb weight includes spare wheel (where present), full fuel tank and 75kg for the driver. Weights are for reference and informational use only. The bodybuilder has the responsibility to verify its compliance with real vehicle weights during the body installation.
7. Clearance point: rear differential



PROVISIONAL VERSION: All data must be confirmed by the type approval certificate.

The information in this catalogue is intended to be of a general nature only. MIDI Europe reserves the right to modify or change specification at any time. For further information, consult our technical department.

Color of the vehicle shown in this catalogue could differ from the real color of the vehicle.

# m21TT - 3,5 TON

## Cabin

Number of seats: 3	Radio DAB+ with USB	Fog lamps Fr and Rr
MID display	Central locking with remote control	Day-time running lights
Power operated windows	Steering adjustable (tilting and height)	Led lights
Reverse warning buzzer	Head lamps control levelling	Automatic headlight lighting
Cab overturning safety	Driver suspended seat	Sunvisor (Driver/Pass.)
Bi-color cabin interior	Seat belt buzzer	Header tray (Driver/Pass.)

## Optional

Air conditioning	
Metallic gray color	
Radio with GPS	

## Brakes

Hydraulic system, with vacuum brake booster  
EEC standards with ABS, independent circuits on both axles  
. Drum parking brake on the transmission shaft.

### Front

Disc

φ 293 x 40 mm

### Rear

Disc

φ 275 x 30 mm

## Safety systems

ABS with BAS (Brake Assist System)  
ESC (Electronic Stability Control) with ASR  
SRS 2 Airbag (Driver/Pass.)

## Diesel Engine

4 cylinders 16 valves, common-rail with direct injection, intercooler and  
Variable nozzle Turbocharger and EGR.  
CO2 emission Combined Cycle g/km 297.32, Fuel consumption  
Combined Cycle l/100 km 11.3

EMISSIONS REGULATIONS	Euro 6d
DISPLACEMENT	1898 cm <sup>3</sup>
POWER	88 kW (120 hp) @ 3.000 - 3.200 rpm
TORQUE	320 Nm@ 1.600 – 2.000 rpm
AFTER-TREATMENT	LNT / DPD / SCR

## Gearbox and Final drive ratio

Gear Ratio	Manual MVC6W	km/h 1000 rpm
1	4.942	5.5
2	2.686	10.1
3	1.527	17.7
4	1.000	27.0
5	0.796	34.0
6	0.634	42.7
R	4.597	
Final drive	4.777 (43/9)	

## FUEL TANK

68 L – Wheelbase E / F	(nominal value)	83 L – Wheelbase H	(nominal value)	10 L	(nominal value)
------------------------	-----------------	--------------------	-----------------	------	-----------------

## ADBLUE TANK

## Dimensions of the chassis

H = 180 mm; L = 50 mm; Thickness = 4 mm

## Suspensions

Front	Independent with transverse leaf spring
Rear	Semi-elliptical steel leaf springs
Rear differential	φ 220 mm LIGHT DUTY

## Tires

205/75 R16C rear twin wheels  
Spare wheel

## Electric system

Nominal voltage 12V - Generator 90A - Battery 70Ah

PROVISIONAL VERSION: All data must be confirmed by the type approval certificate.

The information in this catalogue is intended to be of a general nature only. MIDI Europe reserves the right to modify or change specification at any time. For further information, consult our technical department.  
Color of the vehicle shown in this catalogue could differ from the real color of the vehicle.