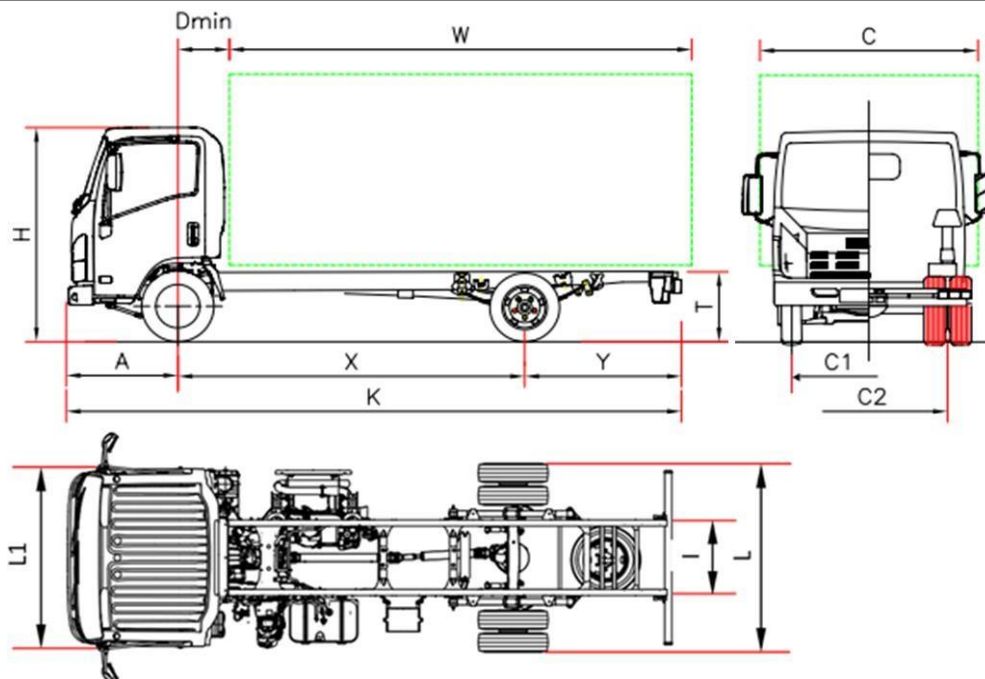


## 190 hp Série Bleu OBD-D (7,5 ton)



€ 44.424 VAT excluded

P 75		P 75 F	P 75 H	P 75 K	P 75 M	P 75 Q
Wheelbase	X	2900 <sup>(5)</sup>	3365	3815	4475	5300 <sup>(5)</sup>
Overall length	K	5570	6040	6690	7870	9282
Body length min. <sup>(1)</sup>	W	3810	4280	4930	6110	7522
Body length Max. <sup>(1)</sup>	W	3990	4615	5245	6425	7890
Rear overhang	Y	1560	1565	1765	2285	2872
Chassis height	T			800		
Overall height	H			2265		
Rear axle width	L			2115		
Cab width <sup>(2)</sup>	L1			2040		
Body width <sup>(3)</sup>	C			2345		
Front axle to back of cab	D min			650		
Front overhang	A			1110		
Frame internal size	I			850		
Front track	C1			1680		
Rear track	C2			1650		
Minimum Road Clearance	-			210		
Turning diameter (m) <sup>(4)</sup>	-	11,1	12,6	14,1	16,3	19,0
<b>WEIGHT (kg)</b>						
Unladen weight <sup>(6)</sup>		2960	2960	2990	3010	3110
Unladen weight front axle		1950/1010	1950/1010	1980/1010	2030/980	2080/1030
Gross Vehicle Weight (GVW)		7500				
Front/rear total weight		3100 / 5800				
Max trailer weight unbraked/Max trailer weight braked		750 / 3500				

1. The length of the body refers to a uniformly loaded vehicle, up to the maximum capacity on each axle (dimensions declared in C.O.C. with no chassis modifications).
2. Excluding turn signal and side mirrors
3. Possible widths with optional mirror brackets 2115/2170 – 2170/2345 – 2345/2500
4. Curb to curb turning diameter
5. Wheelbase modified (see thw optional equipment)
6. The Unladen weight include spare wheel, full fuel tank and driver, optional excluded. NEES + 35 Kg 25/10).

# P 75 - Wheelbase (mm) F 2900 - H 3365 - K 3815 - M 4475 - Q 5300

FEBRUARY 2021

€ 44.424 (\*\*)

Equipment	NEES 2 + Cruise control	€ 1290 (**)
	Right-hand drive (Wheelbase F - H)	€ 1182 (**)
(**)VAT excluded		
<b>Standard features</b>		
<ul style="list-style-type: none"> <li>• EGR - DPD - SCR</li> <li>• MID display</li> <li>• Engine exhaust brake</li> <li>• Side mirrors heated and electric</li> <li>• Immobilizer</li> <li>• Central locking with remote control</li> </ul>	<ul style="list-style-type: none"> <li>• Suspended seat</li> <li>• Fog lamps Fr and Rr</li> <li>• Radio DAB+ with USB</li> <li>• Reverse warning buzzer</li> <li>• Power operated windows</li> </ul>	<ul style="list-style-type: none"> <li>• Steering adjustable (tilting and height)</li> <li>• Head lamps control levelling</li> <li>• Day-time running lights</li> <li>• Speed limiter (90km/h)</li> </ul>
Optional	• Air conditioning	€ 1089 (**)
	• Wheelbase modified	Ask to your dealer
	• Body builder Controller	€ 354 (**)
<b>Engine</b>	<b>ISUZU 4HK1E6C Diesel Engine 4 cylinders.</b> Intercooler, common-rail with direct injection Variable-geometry turbocharger DISPLACEMENT 5193 cm <sup>3</sup> POWER 140kW (190 hp) 2600 rpm TORQUE 510 Nm 1600 – 2800 rpm EMISSIONS REGULATIONS EURO VI OBD-D.	
<b>Safety systems</b>	ABS <b>ESC (Electronic Stability Control) with ASR</b> LDWS AEBS SRS 2 Airbag (Driver/Pass.)	
<b>Tank</b>	<b>90 L</b>	<b>16 L Ad-Blue®</b>
<b>Gearbox and Final drive ratio</b>	6 gear MZZ6F 6.369 - 3.767 - 1.966 - 1.355 - 1.000 - 0.782; Reverse 6.369; Final gear ratio 4.100 (41/10)	
<b>Transmission control</b>	<b>Manual</b>	NEES 2
<b>Dimensions of the chassis</b>	Width 70 mm, Height 216 mm, Thickness 6 mm	
<b>Number of seats</b>	3	
<b>Axle</b>	2 the rear one with twin wheels.	
<b>Tires</b>	Front 215/75 R17,5C simple. Rear 215/75 R17,5C dual.	
<b>Brakes</b>	Front and rear: ventilated discs with asbestos-free linings. Hydraulic system, with vacuum brake booster EEC standards with ABS, independent circuits on both axles. Drum parking brake on the transmission shaft.	
<b>Suspensions</b>	Front and rear: Multi semi elliptical alloy steel leaf spring. Hydraulic double acting shock absorbers.	
<b>Electric system</b>	Nominal voltage 24V - Generator 90A - 2 x Battery 70Ah	

N.B.: Technical and specification data are given as guide only and they can be modified at any time with no prior warning. Nor the constructor neither MIDI Europe can be considered responsible if any of this information is incorrect.