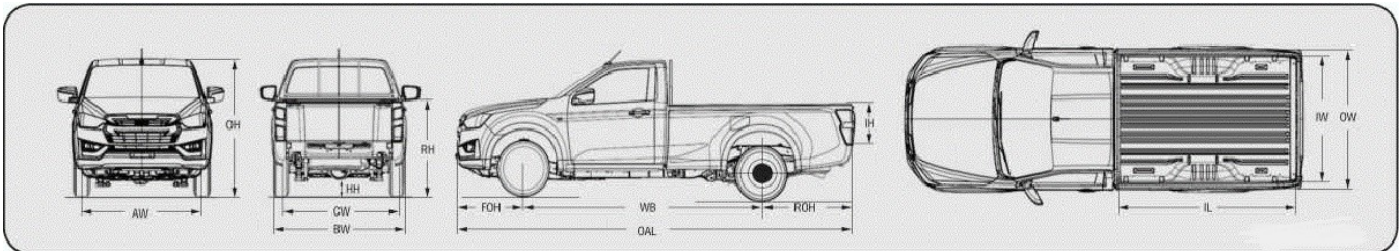
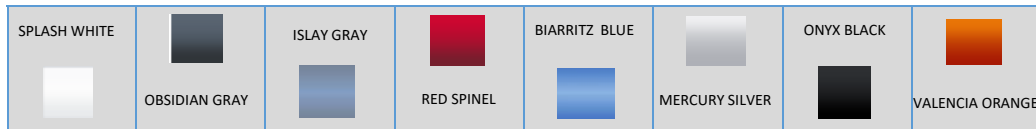


N57



REV. 1—MARCH 2023



Dimensions in mm

OAL	WB	FOH	ROH	OW	IL	IW	IH	AW	BW	CW	OH	HH	RH
5.310	3.125	895	1.290	1.810	2.330	1.590	465	1.555	1.760	1.555	1.770	220	1.295

Engine

Euro 6d

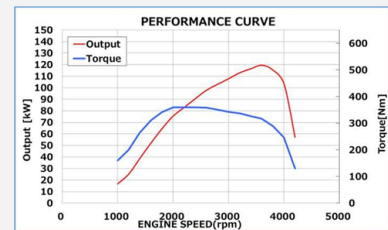


*Image for reference only

Power Max	120 kW (164hp) /3600 rpm
Torque Max	360 Nm /2000-2500 rpm
Bore x Stroke	80 x 94.4 mm
Displacement	1,898 cm ³
Compression ratio	15.9 : 1
Injection pressure	2500 bar
After-treatment devices	LNT/DPD + SCR
Diesel tank B7	76 ℓ
Adblue tank	14.5 ℓ
Generator	12V - 120A

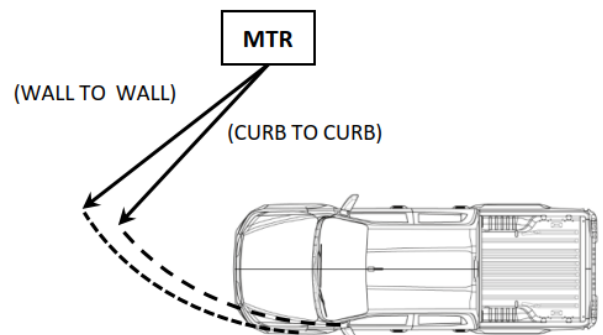
4 cyl. in line with double overhead camshaft and 16v, timing chain and electronic common rail injection.

Turbocharger with electric actuated variable geometry system, water-cooled intercooler and double EGR circuit with EGR coolers.



WLTP	4X2	4X4
Fuel consumption Combined Cycle ℓ/100 km	8,4	8,5
CO2 emission Combined Cycle g/km	220	223

Turning diameter (m)	
WALL TO WALL	CURB TO CURB
13.0	12.5



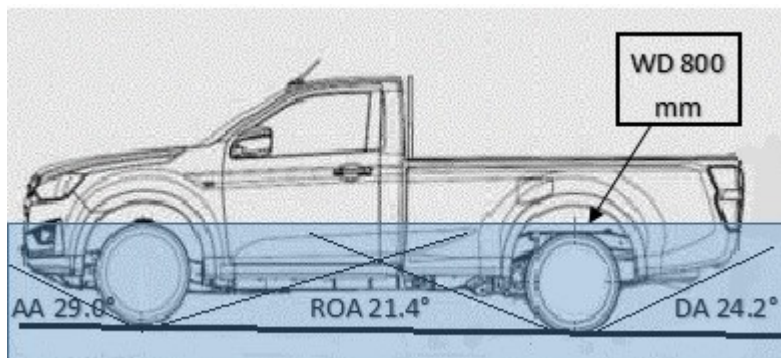
ISUZU reserves the right to change specification and equipment without notice. Details of specifications and equipment mentioned or shown in this brochure are also subject to change to meet government requirements and product development. Accessories and equipment shown in this brochure have been used for illustrative purpose only. Photos may included accessories. Please inquire at your local ISUZU distributor or dealer for more complete details on available models and their specification. Note: The colour in the photos included into this brochure, could be different from the original vehicle colour.

WEIGHTS

	GW	GTW	GCW	Curb weight (in running)
4X2	3.000	2.500	5.500	1.870
4X4	3.100	3.500	6.000	1.970

WHEELS AND TIRES

TIRES	205R16C
WHEELS	16"x 6.5J Steel
SPARE WHEEL	Steel



OFF ROAD

Under body protections
4X4 Part Time with Shift on the Fly
*only for 4X4

GEARBOX	1ST	2ND	3RD	4TH	5TH	6TH	R
M/T MVL-6S	4,942	2,452	1,428	1,000	0,749	0,634	4,597
Final Drive Ratio 4.300 (43/10), with Low Range reduction (4L) 2.482 : 1							

FRONT SUSPENSIONS Independents with double wishbone and coil springs

FRONT BRAKES Ventilated Discs

REAR SUSPENSIONS Leaf springs

REAR BRAKES Drums

STANDARD EQUIPMENT

Start&Stop	Driver's seat lumbar adjustment	Automatic headlight
Cruise Control	Driver's seat 6 power adjustments	Rear fog lamp
Air conditioning	Height and Depth Steering wheel adjustment	Front doors speaker
Hill Start Aid and Descent Control (HSA-HDC)	Remote Keyless Entry	7 Airbags
Power rearview mirrors	A-Pillar Assist Grip	Passenger Airbag cut-off switch
Windscreen wipers with rain sensor	E-call (Emergency call)	

Pre-crash Active Safety

Emergency Stop Signal-ESS

ISUZU Entertainment

1 DIN Radio DAB+, USB, Bluetooth

Midi Europe recommends:



ISUZU reserves the right to change specification and equipment without notice. Details of specifications and equipment mentioned or shown in this brochure are also subject to change to meet government requirements and product development. Accessories and equipment shown in this brochure have been used for illustrative purpose only. Photos may included accessories. Please inquire at your local ISUZU distributor or dealer for more complete details on available models and their specification. Note: The colour in the photos included into this brochure, could be different from the original vehicle colour.