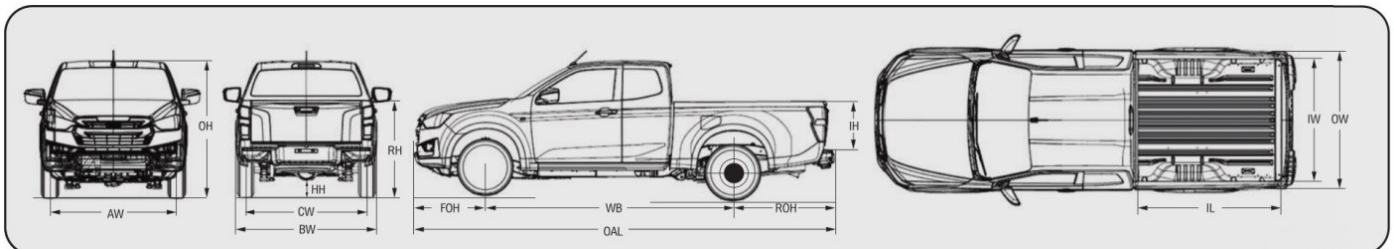
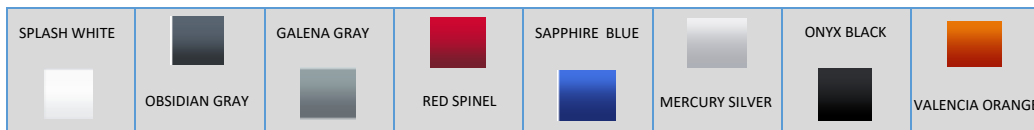


N57



Rev. 2-2021 January 2021



Dimensions in mm

OAL	WB	FOH	ROH	OW	IL	IW	IH	AW	BW	CW	OH	HH	RH
5.265	3.125	890	1.250	1.870	1.805	1.530	490	1.570	1.835	1.570	1.790	240	1.340

Engine

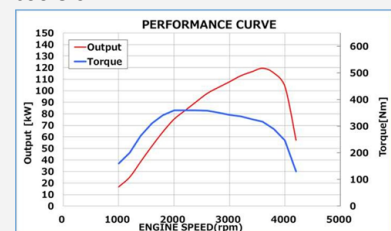
Euro 6d



*Image for reference only

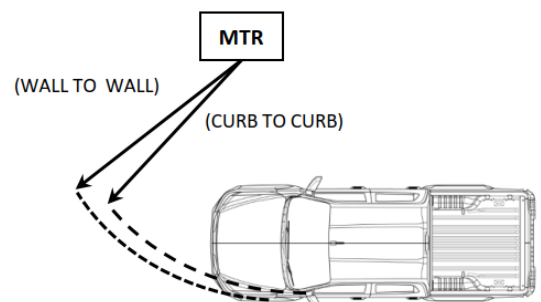
Power Max	120 kW (164hp) /3600 rpm
Torque Max	360 Nm /2000-2500 rpm
Bore x Stroke	80 x 94.4 mm
Displacement	1,898 cm ³
Compression ratio	15.9 : 1
Injection pressure	2500 bar
After-treatment devices	LNT/DPD + SCR
Diesel tank B7	76 ℓ
Adblue tank	14.5 ℓ
Generator	12V - 120A

4 cyl. in line with double overhead camshaft and 16v, timing chain and electronic common rail injection. Turbocharger with electric actuated variable geometry system, water-cooled intercooler and double EGR circuit with EGR coolers.



WLTP	M/T	A/T
Fuel consumption Combined Cycle ℓ/100 km	8,6	9,2
CO2 emission Combined Cycle g/km	225	242

Turning diameter (m)	
WALL TO WALL	CURB TO CURB
13.0	12.5



WEIGHTS

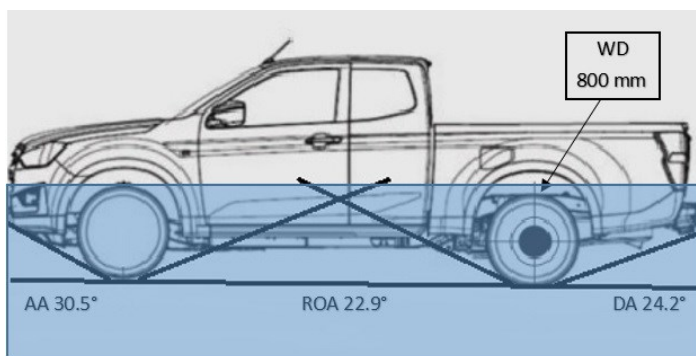
	GVW	GTW	GCW	Curb weight (in running order)
M/T	3.100	3.500	6.000	2.035
A/T	3.100	3.500	6.000	2.060

WHEELS AND TIRES

TIRES	265/60R18
WHEELS	18"x7.5J Steel
SPARE WHEEL	Steel

OFF ROAD

Under body protections
4X4 Part Time with Shift on the Fly



GEARBOX	1ST	2ND	3RD	4TH	5TH	6TH	R
M/T MVL-6S	4,942	2,452	1,428	1,000	0,749	0,634	4,597
A/T AWR6B45-II	3,600	2,090	1,488	1,000	0,687	0,580	3,732
Final Drive Ratio 4.300 (43/10), with Low Range reduction (4L) 2.482 : 1							

FRONT SUSPENSIONS	Independents with double wishbone and coil springs	FRONT BRAKES	Ventilated Discs
REAR SUSPENSIONS	Leaf springs	REAR BRAKES	Drums

STANDARD EQUIPMENT

Start&Stop	Driver's seat 6 power adjustments	Automatic headlight
Cruise Control	Driver's seat lumbar adjustment	Rear fog lamp
Air conditioning	Height and Depth Steering wheel adjustment	Front doors speaker
Hill Start Aid and Descent Control (HSA-HDC)	Remote Keyless Entry	7 Airbags
Power and heated rearview mirrors	Rear bumper integrated into the body	Passenger Airbag cut-off switch
Windscreen wipers with rain sensor	A-Pillar Assist Grip	E-call (Emergency call)
Rear window defogger	Tailgate handle with Key	

Pre-crash Active Safety

Emergency Stop Signal-ESS

ISUZU Entertainment

1 DIN Radio DAB+, USB, Bluetooth

Midi Europe recommends:



5 YEAR
WARRANTY/
100.000 km

ISUZU reserves the right to change specification and equipment without notice. Details of specifications and equipment mentioned or shown in this brochure are also subject to change to meet government requirements and product development. Accessories and equipment shown in this brochure have been used for illustrative purpose only. Photos may included accessories. Please inquire at your local ISUZU distributor or dealer for more complete details on available models and their specification. Note: The colour in the photos included into this brochure, could be different from the original vehicle colour.