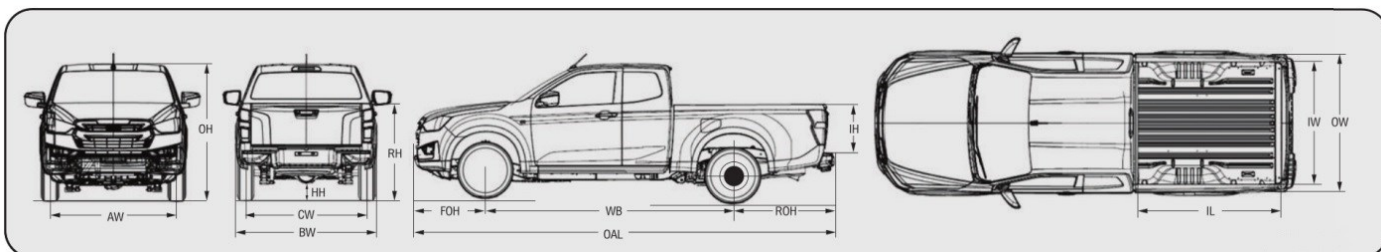
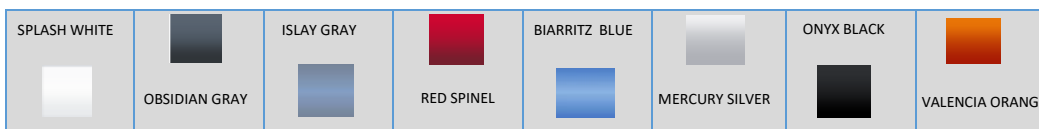


# N 60 BB



REV. 2 - APRIL 2023



Dimensions in mm

OAL	WB	FOH	ROH	OW	IL	IW	IH	AW	BW	CW	OH	HH	RH
5.270	3.125	895	1.250	1.870	1.805	1.530	490	1.570	1.835	1.570	1.790	240	1.340

## Engine

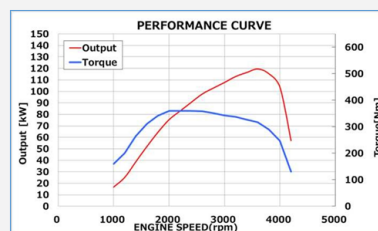
### Euro 6d



\*Image for reference only

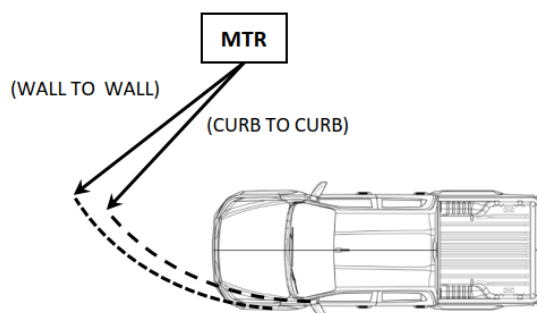
Power Max	120 kW (164hp) /3600 rpm
Torque Max	360 Nm /2000-2500 rpm
Bore x Stroke	80 x 94.4 mm
Displacement	1,898 cm <sup>3</sup>
Compression ratio	15.9 : 1
Injection pressure	2500 bar
After-treatment devices	LNT/DPD + SCR
Diesel tank B7	76 ℓ
Adblue tank	14.5 ℓ
Generator	12V - 120A

4 cyl. in line with double overhead camshaft and 16v, timing chain and electronic common rail injection. Turbocharger with electric actuated variable geometry system, water-cooled intercooler and double EGR circuit with EGR coolers.



WLTP	M/T	A/T
Fuel consumption Combined Cycle ℓ/100 km	8,3	9,1
CO2 emission Combined Cycle g/km	218	238

Turning diameter (m)	
WALL TO WALL	CURB TO CURB
13.0	12.5



## WEIGHTS

	GVW	GTW	GCW	Curb weight (in running order)
M/T	3.100	3.500	6.000	2.020
A/T	3.100	3.500	6.000	2.035

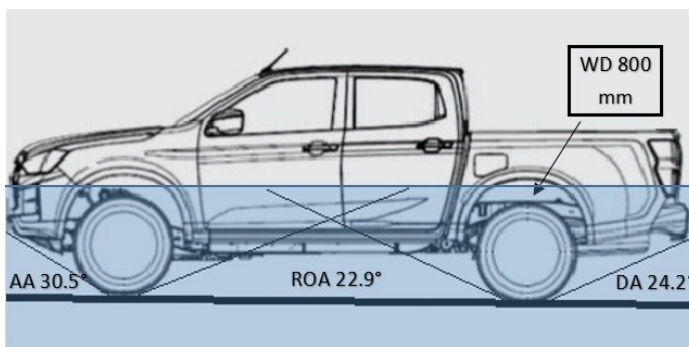
### WHEELS AND TIRES

TIRES	265/60R18
WHEELS	18" x 7.5J Alloy (SILVER)
SPARE WHEEL	Steel

### OFF ROAD

Under body protections  
4X4 Part Time with Shift on the Fly

Rear axle differential lock



GEARBOX	1ST	2ND	3RD	4TH	5TH	6TH	R
M/T MVL-6S	4,942	2,452	1,428	1,000	0,749	0,634	4,597
A/T AWR6B45-II	3,600	2,090	1,488	1,000	0,687	0,580	3,732
<b>Final Drive Ratio 4.300 (43/10), with Low Range reduction (4L) 2.482 : 1</b>							

FRONT SUSPENSIONS	Independents with double wishbone and coil springs	FRONT BRAKES	Ventilated Discs
REAR SUSPENSIONS	Leaf springs	REAR BRAKES	Drums

## STANDARD EQUIPMENT

Start&Stop	Rear window defogger	Automatic headlight with automatic high beam
Cruise Control	<b>Front heated seats</b>	Front and Rear fog lamp
Steering wheel controls	Driver's seat 6 power adjustments	Air conditioning
Adjustable speed limiter (30 - 160km/h)	Driver's seat lumbar adjustment	Front doors speaker
Hill Start Aid and Descent Control (HSA-HDC)	Height and Depth Steering wheel adjustment	7 Airbags
Multi Collision Brake	Remote Keyless Entry	Passenger Airbag cut-off switch
Power and heated rearview mirrors	Rear bumper integrated into the body	E-call (Emergency call)
<b>Power fold rearview mirrors</b>	A-Pillar Assist Grip	
Windscreen wipers with rain sensor	Tailgate handle with Key	

### Pre-crash Active Safety

Warning, Decelerating\* and Braking to avoid collisions—FCW-AEB-MAM\*  
Emergency Stop Signal-ESS

### Speed Assistance System

Adaptive Cruise Control– ACC\*  
Traffic Sign Recognition– TSR  
Intelligent Speed Limiter– ISL  
Manual Speed Limiter - MSL

### Line Support System

Active and Passive support ( LKAS\*-LDWS-LDP-EPS)

### Parking Aids

4 Rear Sensors

### ISUZU Entertainment

1 DIN Radio, AUX, USB,  
Bluetooth, DAB

\*Only for Automatic Gearbox

### Athermic windshield

With IR cut, UVA and UVB filtering

Midi Europe recommends:



ISUZU reserves the right to change specification and equipment without notice. Details of specifications and equipment mentioned or shown in this brochure are also subject to change to meet government requirements and product development. Accessories and equipment shown in this brochure have been used for illustrative purpose only. Photos may included accessories. Please inquire at your local ISUZU distributor or dealer for more complete details on available models and their specification. Note: The colour in the photos included into this brochure, could be different from the original vehicle colour.